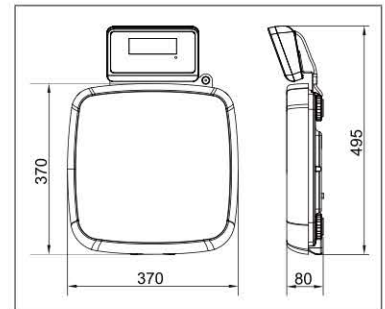


M302 Step on Scales



Features

Approved as a medical device according to 93/42/EEC

The best seller for doctor's surgeries, chemists and hospitals: easy to use with no time wasted – simply tap on it, stand on it, read the weight

Robust design for daily use in a professional environment

Ergonomically optimized design

For easy and hygienic cleaning

Secure and non-slip positioning with

height-adjustable rubber feet

Large platform with non-slip and wear-resistant surface made of plastic, to provide a

secure footing for patients

Auto power off function

Technical Data

Display: Large LCD display, digits height 25 mm, with white color LED backlight

Pan size: 365×360 mm

Dimensions: 495×360×80 mm

Net weight: 10 kg

Power: AC adapter

(100~240VAC/12V500mADC), rechargeable battery (Ni-MH 1.2V 2000mAhx6, size AA),

operating time up to 40h without backlight,

charging time approx. 12 h

Operation temperature: -10°C/40°C

Standard



Factory Option



Model	Weighing Capacity [Max]kg	Readability [d]g	Verification value [e]g
M302-250kg	250	100	100