

## RW Weight Indicator

### General Specifications

- Display 22mm digit LCD display, with white LED backlight
- Keyboard 6 keys (Mechanical switch)
- Housing ABS plastic
- Max. Divisions 6,000e; 30,000d
- Load cell excitation voltage 5V/150mA
- ADC update  $\leq 1/10$  second
- Operating Temp.  $-10^{\circ}\text{C} \sim +40^{\circ}\text{C}$
- Power AC adapter (12V/500mA), Ni-MH batteries (1.2V/2000mAh x 6)
  
- Gross weight 1kg
- Packing Master carton holds 8, dimension 0.073 m<sup>3</sup>



- An economical general purpose instrument
- Applications: 1. Check weighing 2. Net/gross shift 3. Weighing unit conversion 4. Peak hold (non OIML version only) 5. Animal weighing
- OIML approval from DELTA (approval no.DK0199.284)
- Battery provides up to 40 hours of continuous use (without backlight)
- RS-232 to connect to a mini printer, label printer or computer



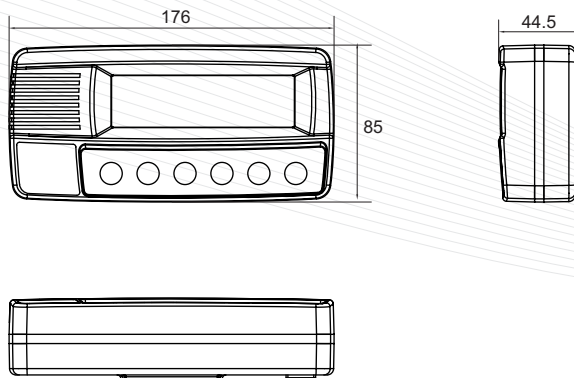
## RW Weight Indicator

Model Number	Capacity	Readability	Division	Approx. weight	Approval
RW	X	X	30,000d	1kg	CE
RW-M	X	X	6,000e	1kg	CE,OIML

### Options



### Dimensions(mm)



### Print formats

